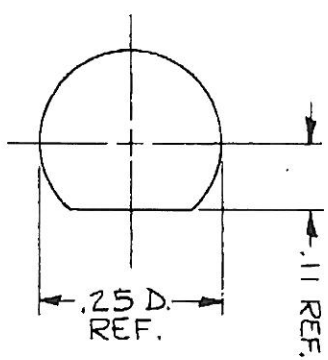
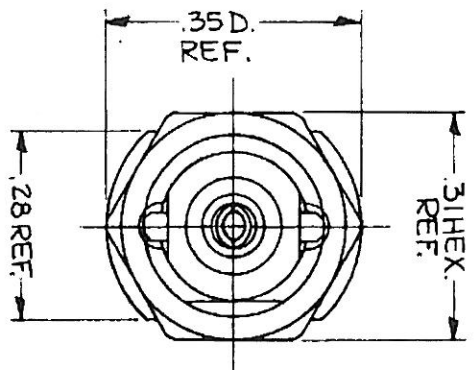


NOTES:  
 1. MARK PACKAGE: KINGS K-3933-MC7

UNLESS OTHERWISE SPECIFIED  
 1 TOLERANCES FRACTIONS & 2 PLACE DECIMALS ± 0.1%  
 3 PLACE DECIMALS ± .004 ANGLES ± 0.30  
 2 CONCENTRICITY OF ANY 2 DIAMETERS MAY  
 NOT EXCEED .004 THE SUM OF THEIR TOLERANCES  
 2 REMOVE ALL BURRS, BREAK SHARP EDGES .005 MAX  
 3 NO FILLETS PERMITTED  
 4 SURFACE ROUGHNESS 63 MICRONS RMS MAX  
 5 ALL DIMENSIONS PRIOR TO PLATING  
 6 ALL PLATING IN ACCORDANCE WITH KER 10004



MOUNTING HOLE

S-D

S-D

(SHEET 1 of 2)

K-3933-MC7

| ISSUE         | REVISIONS |
|---------------|-----------|
| 0             | CHANGES   |
| ER-20132      |           |
| CR 15 MAR 80  |           |
| 1. CN 20147 D | 27 MAR 80 |
| 2. CN 20469 D | 28 APR 80 |
| 3. CN 21802 A | 23 MAR 81 |
| 4. CN 21939 E | 27 APR 81 |
| 5. CN 28226 E | 8 AUG 86  |

S-D

SCALE 6:1  
 WMS: E-7520 REV. 2.

UNEDM

MR AEROSPACE LIGHTING  
 CORR. DWG. C31 001-01 REV. 1

MINIATURE BAYONET BULB  
 RECEPTACLE (2 STUD)

DATE 15 JAN 80  
 DRAWN CXC  
 NAME MJB  
 DATE 10 FEB 80

KINGS  
 1151 BROADWAY, NEW YORK, NY 10018

K-3933-MC7  
 (SHEET 1 of 2)

